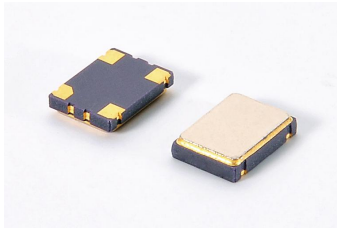


**VCTCXO**

**4 Pad Version 5.0×3.2 mm**

- ±2.5 ppm stability
- Clipped sine wave
- Low power consumption
- Reflow soldering temperature: 260°C max

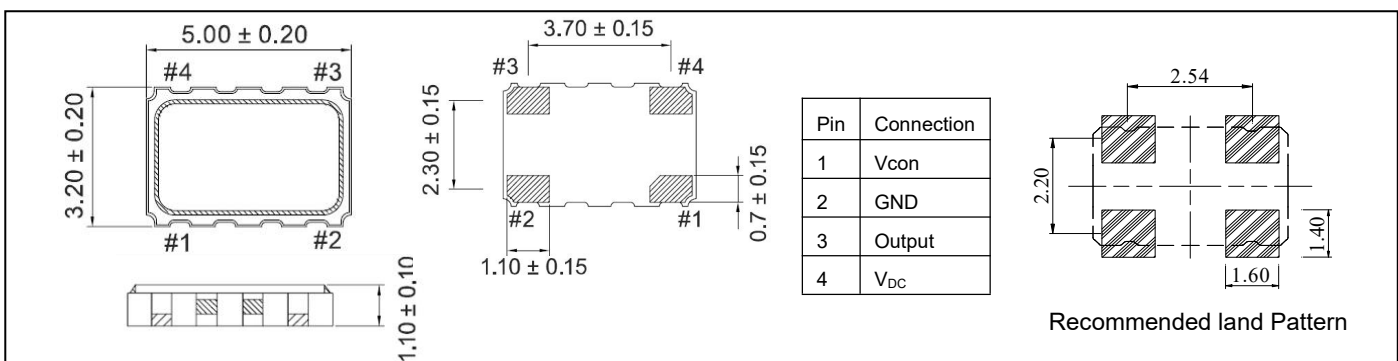


RoHS compliant

**★ PARAMETERS**

PARAMETERS	SPECIFICATION	
Frequency Range	10.0~40.0MHz	
Supply Voltage	1.8V、2.5V、2.8V、3.3V	
Supply Current	10MHz≤F0<15MHz: 1.5mA max 15MHz≤F0<26MHz: 2.0mA max 26MHz≤F0≤40MHz: 2.5mA max	
Frequency Tolerance	±0.5ppm、±1.0ppm、±2.0ppm	
Frequency Stability	Vs Temperature (ref. to +25°C)	±1.5~±2.5ppm
	Vs Supply voltage change (±5%)	±0.2ppm
	Vs Load change (±10%)	±0.2ppm
	Vs Aging (1 <sup>st</sup> Year ,25±2°C)	±1.0ppm
Operating Temp. Range	-30~+85°C	
Storage Temp. Range	-55~+125°C	
Voltage Control Range	±5.0ppm min	
Output Waveform:	Clipped Sine Wave	
Output Level:	0.8 Vp-p Min (Clipped Sine Wave)	
Output Load	10K Ω //10pF	
Symmetry	45% ~ 55% typ. at 0.5×Vdc	
Start-up Time	2.0mS max	
Phase Noise	-115 dBc/Hz max @100Hz offset	
	-135 dBc/Hz max @1KHz offset	
	-148 dBc/Hz max @10KHz offset	

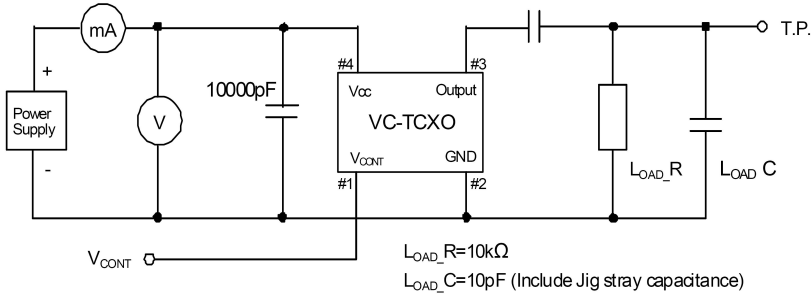
© All specification subject change without notice.

**★ DIMENSIONS& LAND PATTERN LAYOUT (Unit: mm)**

**★ PART NUMBER GUIDE** e.g. FVTO26.000M2.8SM5-1.0/2.5C (\*SM5=5.0×3.2 SMD TYPE)

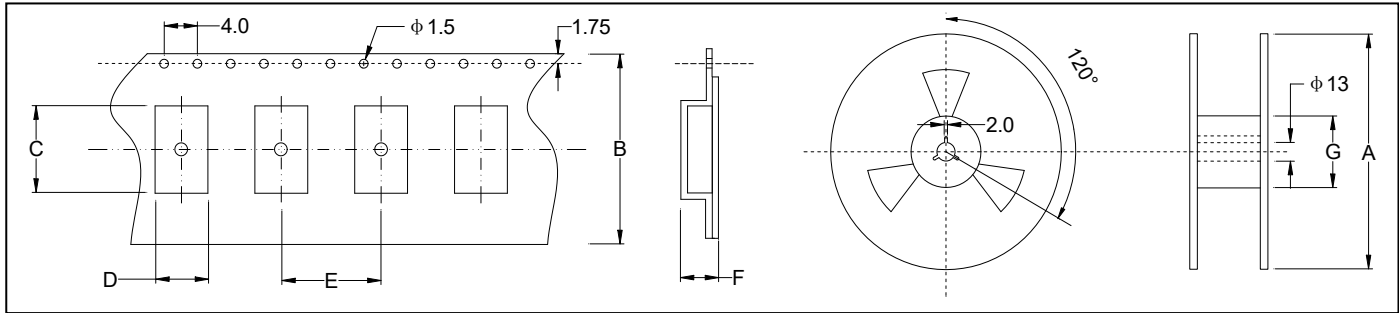
	VCTCXO	Frequency	Supply voltage V	Package	Frequency Tolerance PPM	Frequency Stability PPM	Operating Temp.
F	VTO	26.000	2.8A	SM5	1.0	2.5	C

Definition	Description
Operating Temp.	<b>A:</b> -10~+70°C
	<b>B:</b> -20~+80°C
	<b>C:</b> -30~+85°C
	<b>D:</b> Customer specified

★ TEST CIRCUIT



★ TAPING SPECIFICATION (Unit: mm)



	A	B	C	D	E	F	G
VCTCXO-SMD5032	178±2.0	12.0±0.3	5.40±0.10	3.60±0.10	8.0±0.1	1.4±0.1	60.5±1.0
1000 pcs per reel							

★ REFLOW SOLDERING PROFILE

