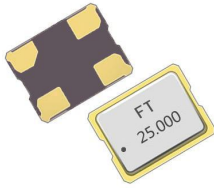


**SMD QUARTZ CRYSTAL OSCILLATOR**

**4 Pad Version 5.0×3.2 mm**

- ±20 ppm type available
- Excellent Reliability Performance
- EMI shielding possible by grounded lid
- Reflow soldering temperature: 260°C max
- Ceramic Seam Weld package



RoHS compliant

**★ PARAMETERS**

PARAMETERS	SPECIFICATION
Frequency Range	1 ~ 160MHz, 32.768KHz
Supply voltage	1.8V、2.5V、2.8V、3.3V
Input Current	See Below
Frequency Stability Overall	±20ppm ~ ±50ppm
Operating Temp. Range	-10~+60°C to -40~+85°C, (-40~+125°C available)
Storage Temp. Range	-55 ~ +125°C
Output Load	HCMOS 15pF
Symmetry	45% ~ 55% typ. (40% ~ 60% max.) at 0.5×V <sub>DD</sub>
Start-up time	10mS max
Enable/ Disable Function	E/D

◎ All specification subject change without notice.

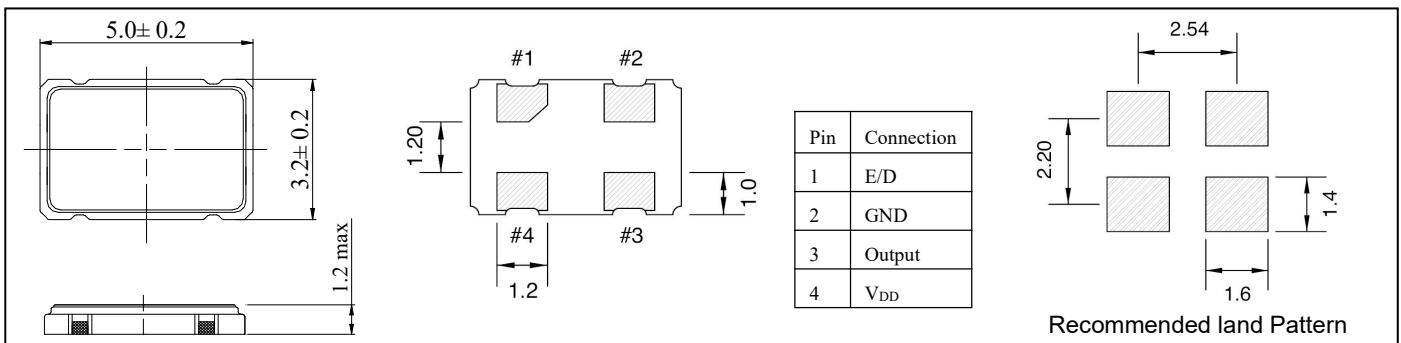
**★ FREQUENCY STABILITY VS. TEMPERATURE**

Operation Temperature Range	Frequency Stability			
	±20ppm	±25ppm	±30ppm	±50ppm
-10°C~+60°C	○	●	○	○
-20°C~+70°C		○	●	○
-40°C~+85°C				●

● standard ○ available

**★ Rise & Fall TIME MAX.**

Frequency	Rise & Fall Time	Note
1.0~9.9 MHz	6nS max	rise time: 0.1 V <sub>DD</sub> ~ 0.9 V <sub>DD</sub>
10.0~39.9 MHz	5nS max	fall time: 0.9 V <sub>DD</sub> ~ 0.1 V <sub>DD</sub>
40.0~80.9 MHz	4nS max	

**★ DIMENSIONS & LAND PATTERN LAYOUT (Unit: mm)**

**★ PART NUMBER GUIDE**

e.g. FXO12.000MAA3SM5-50D (\*SM5=5.0×3.2 SMD TYPE)

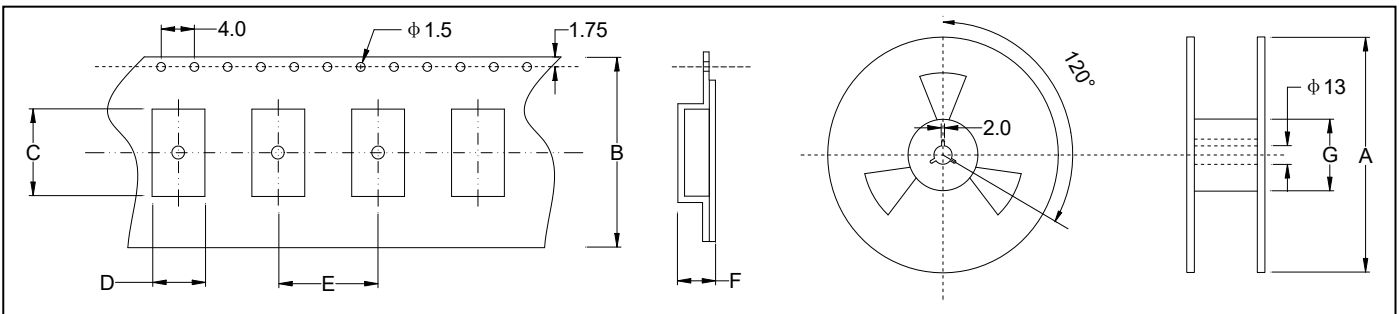
Logo	Quartz Crystal Oscillator	Frequency Hz	Supply voltage V <sub>DD</sub>	Package	Frequency Stability ppm	Operating Temp. Range
F	XO	12.000	3.3	SM5	50	D

Definition	Description	
Operating Temperature Range	<b>A:</b> -10~+60°C	<b>B:</b> -20~+70°C
	<b>C:</b> -30~+80°C	<b>D:</b> -40~+85°C
	<b>E:</b> -30~+105°C	<b>F:</b> -40~+105°C
	<b>G:</b> -40~+125°C	<b>S:</b> Customer specified

★ INPUT CURRENT

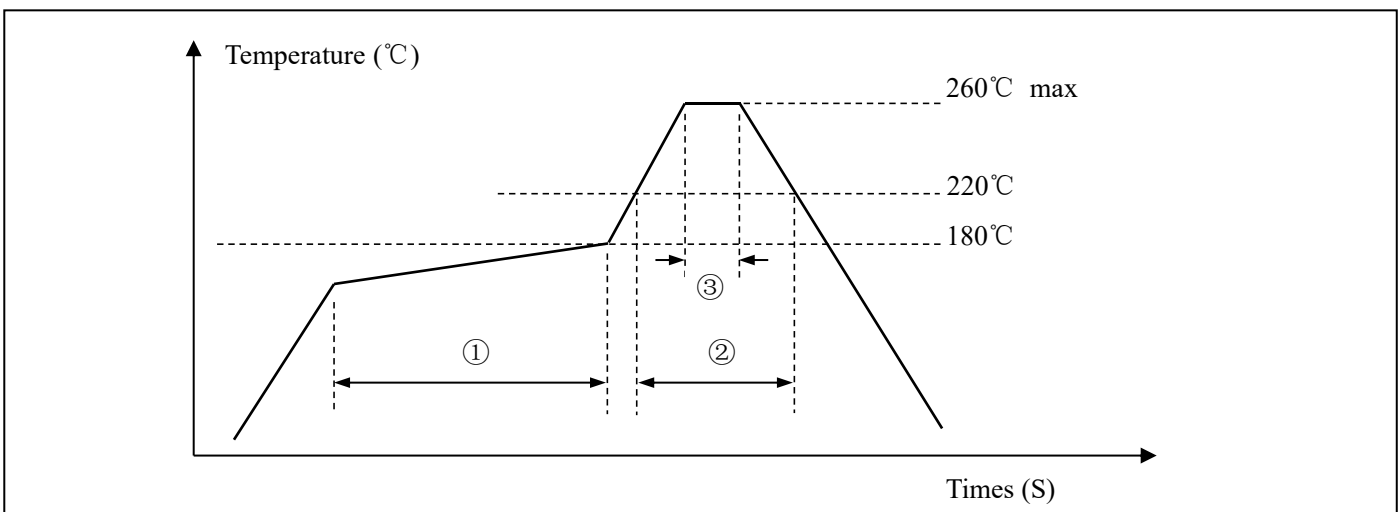
V <sub>DD</sub> =3.3V				V <sub>DD</sub> =1.8V			
15pF load		30pF load		15pF load		30pF load	
1.0 ~ 19.9 MHz	4 mA	1.0 ~ 19.9 MHz	6 mA	1.0 ~ 19.9 MHz	2 mA	1.0 ~ 19.9 MHz	6 mA
20.0 ~ 39.9 MHz	7 mA	20.0 ~ 39.9 MHz	13 mA	20.0 ~ 39.9 MHz	3 mA	20.0 ~ 29.9 MHz	10 mA
40.0 ~ 59.9 MHz	19 mA	40.0 ~ 49.9 MHz	24 mA	40.0 ~ 59.9 MHz	10 mA	30.0 ~ 40.0 MHz	12 mA
60.0 ~ 99.9 MHz	30 mA	50.0 ~ 60.0 MHz	35 mA	60.0 ~ 80.0 MHz	15 mA		
100.0 ~ 125.0 MHz	40 mA			100.0 ~ 125.0 MHz	30 mA		

★ TAPING SPECIFICATION (Unit: mm)



	A	B	C	D	E	F	G
OSC-SMD5032	178±2.0	12.0±0.3	3.55±0.10	2.80±0.10	4.0±0.1	1.4±0.1	60.5±1.0
1000 pcs per reel							

★ REFLOW SOLDERING PROFILE



Pb free reflow A	①	Preheat	160~180°C	120sec. max
	②	Primary heat	220°C	60sec. max
	③	Peak	260°C	10sec. max.