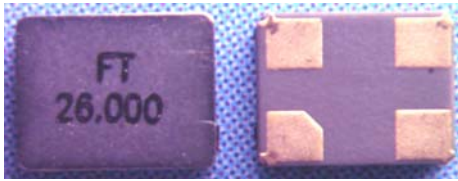


SMD QUARTZ CRYSTAL RESONATOR
石英晶体谐振器

4 Pad Version Adhesive Sealed 3.2x2.5 mm

- ±10 ppm type available
- Excellent Reliability Performance
- Reflow soldering temperature: 260°C max
- Surface Mount Adhesive Sealed, Ceramic Base& Metal Lid



RoHS compliant

★ PARAMETERS
技术参数

PARAMETERS	参数	SPECIFICATION 规格
Frequency Range	频率范围	12~54MHz
Operation Mode	振动模式	Fundamental
Loading Capacitance	负载电容	8 to 32pF Series available (Customer Specified)
Drive Level	激励电平	10 μ W (200 μ W Max)
Frequency Tolerance	频率偏差	±10ppm~±30ppm (at 25°C)
Equivalent Resistance	谐振电阻	100 Ω Max
Frequency Stability	频率稳定性	±10ppm~±50ppm
Operating Temp. Range:	工作温度范围	-10~+60°C to -40~+85°C
Storage Temp. Range:	储存温度范围	-55~+125°C

◎ All specification subject change without notice. 规格变化, 恕不另行通知。

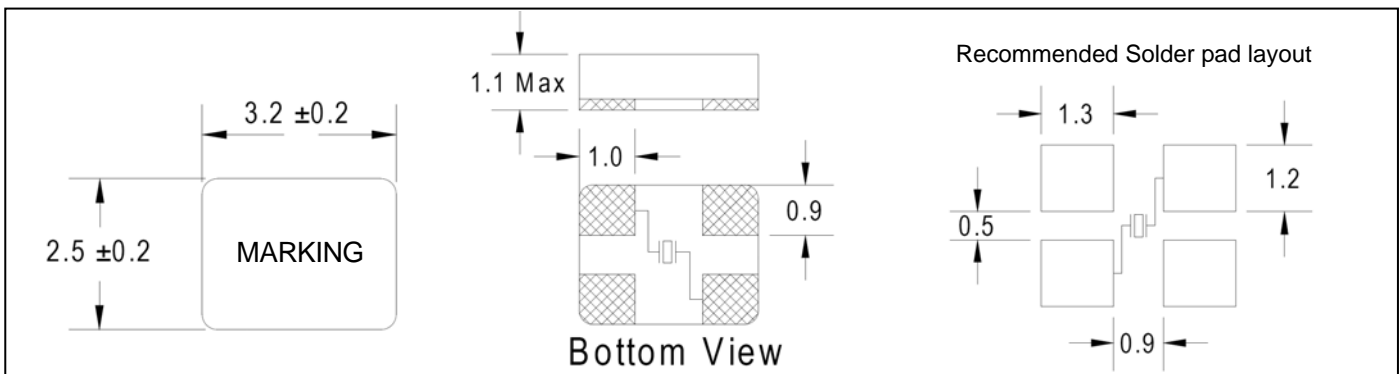
★ FREQUENCY STABILITY VS. TEMPERATURE 频率温度特性

Operation Temperature Range	Frequency Stability				
	±10ppm	±15ppm	±20ppm	±30ppm	±50ppm
-10°C~+60°C	○	○	●	○	○
-20°C~+70°C	○	○	●	●	○
-40°C~+85°C			○	○	●

● standard ○ available

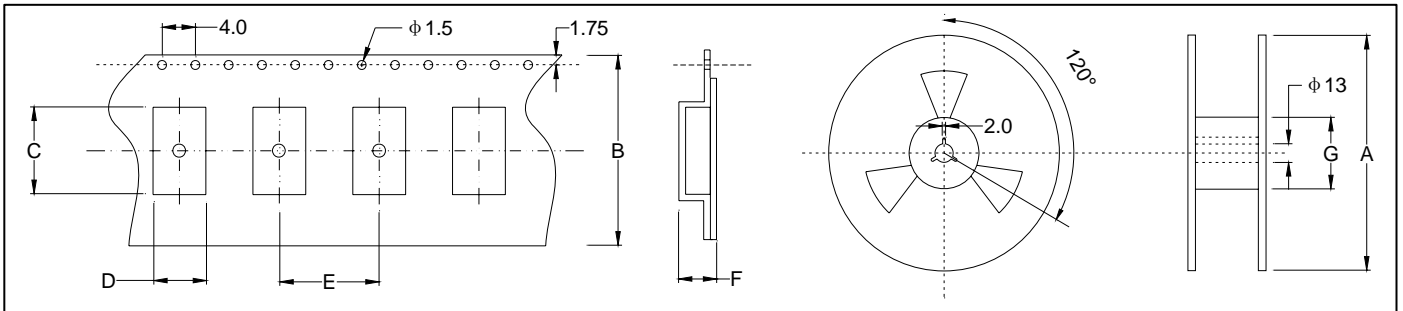
★ ESR (SERIES RESISTANCE RS)

Frequency	Vib. Mode	ESR
12-15.999MHz	AT CUT/FUND.	100Ω(MAX)
16-18.999MHz	AT CUT/FUND.	80Ω(MAX)
19-26.999MHz	AT CUT/FUND.	60Ω(MAX)
27-54.000MHz	AT CUT/FUND.	40Ω(MAX)

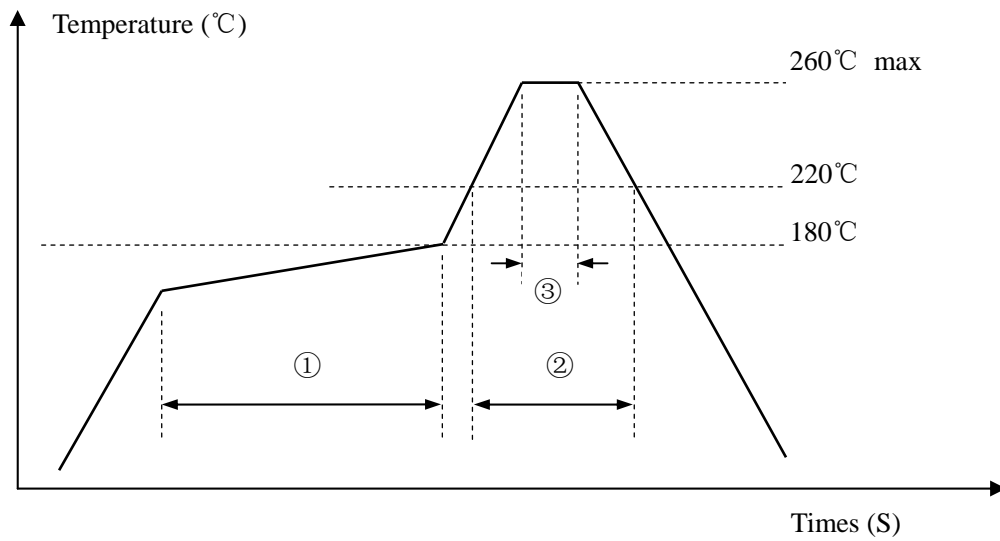
★ DIMENSIONS & LAND PATTERN LAYOUT (Unit: mm) 外形尺寸

★ PART NUMBER GUIDE 部件号示例

e.g. FTX26.000M9SM3GA (*SM3GA=3.2×2.5 SMD Adhesive Sealed TYPE A)

	Quartz Crystal Resonator 石英晶体谐振器	Frequency 频率	Load Capacitance 负载电容	Package 盒型
FT	X	26.000MHz	9	SM3GA

★ TAPING SPECIFICATION (Unit: mm) 编带规格


	A	B	C	D	E	F	G
SMD3225	178±2.0	12.0±0.3	3.55±0.10	2.80±0.10	4.0±0.1	0.85±0.10	60.5±1.0
3000 pcs per reel							

★ REFLOW SOLDERING PROFILE 回流焊特性


Pb free reflow A	①	Preheat	160~180°C	120sec. max
	②	Primary heat	220°C	60sec. max
	③	Peak	260°C	10sec. max.