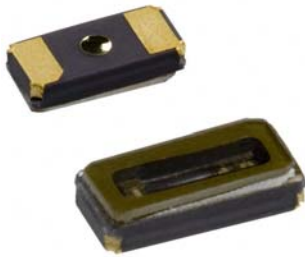


SMD QUARTZ CRYSTAL RESONATOR
石英晶体谐振器

2 Pad Version 3.2x1.5 mm

- Tuning fork crystal in standard package
- 32.768 KHz standard
- ± 20 ppm Standard
- Excellent Reliability Performance
- Reflow soldering temperature: 260°C max

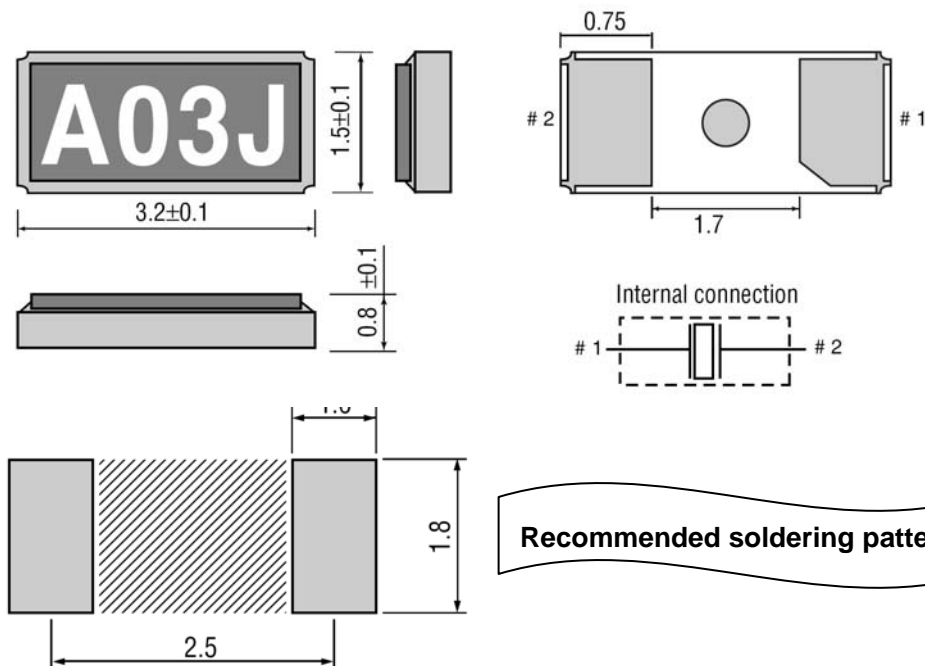


RoHS compliant

★ PARAMETERS
技术参数

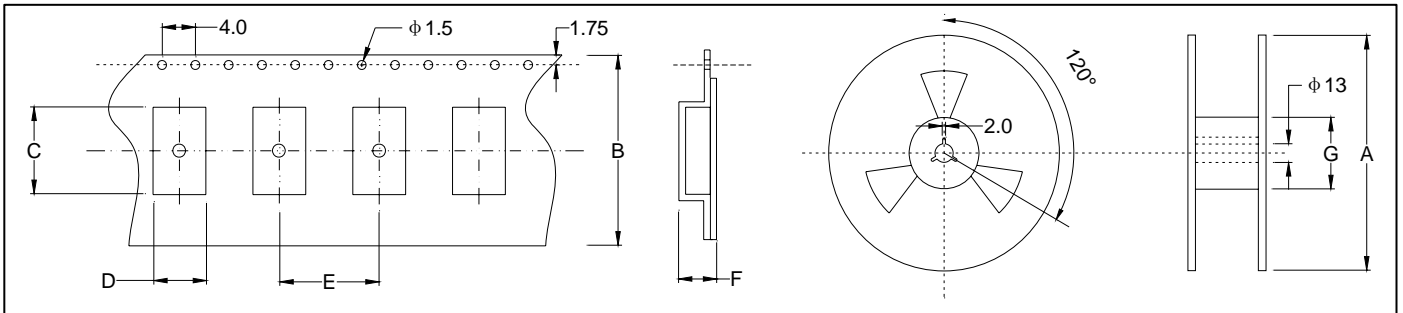
PARAMETERS	参数	SPECIFICATION 规格
Frequency Range	频率范围	32.768KHz
Loading Capacitance	负载电容	12.5pF Std. 7 pF available
Drive Level	激励电平	1.0 μ W Max
Frequency Tolerance	频率偏差	± 20 ppm (at 25°C)
Equivalent Resistance	谐振电阻	70K Ω Max
Temperature coefficient	温度曲线系数	$-0.04 \times 10^{-6} / ^\circ\text{C}^2$ max
Operating Temp. Range:	工作温度范围	-40~+85°C
Storage Temp. Range:	储存温度范围	-55~+125°C
Aging (25°C, First Year)	老化率	± 3 ppm max

○ All specification subject change without notice. 规格变化, 恕不另行通知。

★ DIMENSIONS & LAND PATTERN LAYOUT (Unit: mm) 外形尺寸

Recommended soldering pattern
★ PART NUMBER GUIDE 部件号示例

e.g. FTX32.768K12.5SM3 (*SM3=3.2x1.5 SMD)

	Quartz Crystal Resonator 石英晶体谐振器	Frequency 频率	Load Capacitance 负载电容	Package 盒型
FT	X	32.768KHz	12.5	SM3

★ TAPING SPECIFICATION (Unit: mm) 编带规格


	A	B	C	D	E	F	G
SMD3.2×1.5	180	12	3.45	1.75	4.0	1.0	60
3000 pcs per reel							

★ REFLOW SOLDERING PROFILE 回流焊特性
